

PPC-Z153

15" IP66/69K Stainless Steel 316 Projected Capacitive / 5-wire Resistive Panel PC with Intel® Pentium™ N4200 Processor



Applications

- Food & Beverage Processing
- Hospitality & Catering Service
- Pharmaceutical Equipment
- Animal Feed Production Facility
- Chemical Critical Environment

Features

- Stainless Steel 316, Full IP66/69K Protection
- Completely Flat Front Panel Design
- AGRO SS316 Pressure Balance Element, Preventing Water Condensation
- Supports VESA, Yoke, and Wall Mount

Ordering Information

Part No.	Description
PPC-Z153P-B6A1	15" 4:3 (1024 x 768), 300 nits, Stainless Steel 316 Full IP66/69K Protection, Fanless Panel PC with Intel® Pentium® N4200 CPU, Projected Capacitive Touch, 4G RAM, 64G M.2 TLC, 2x USB3.0, 1x M12 for 2x USB2.0, 1x RS-232, 1x RS-232/422/485, 2x GbE, 1x VGA, DC 9~36 V, M12 Connector
PPC-Z153R-B6A2	15" 4:3 (1024 x 768), 300 nits, Stainless Steel 316 Full IP66/69K Protection, Fanless Panel PC with Intel® Pentium™ N4200 CPU, 5-wire Resistive Touch, 4G RAM, 64G SSD TLC, 2x USB3.0, 1x M12 for 2x USB2.0, 1x RS-232, 1x RS-232/422/485, 2x GbE, 1x VGA, DC 9~36 V, M12 Connector

Packing List

Description

1 x PPC-Z153

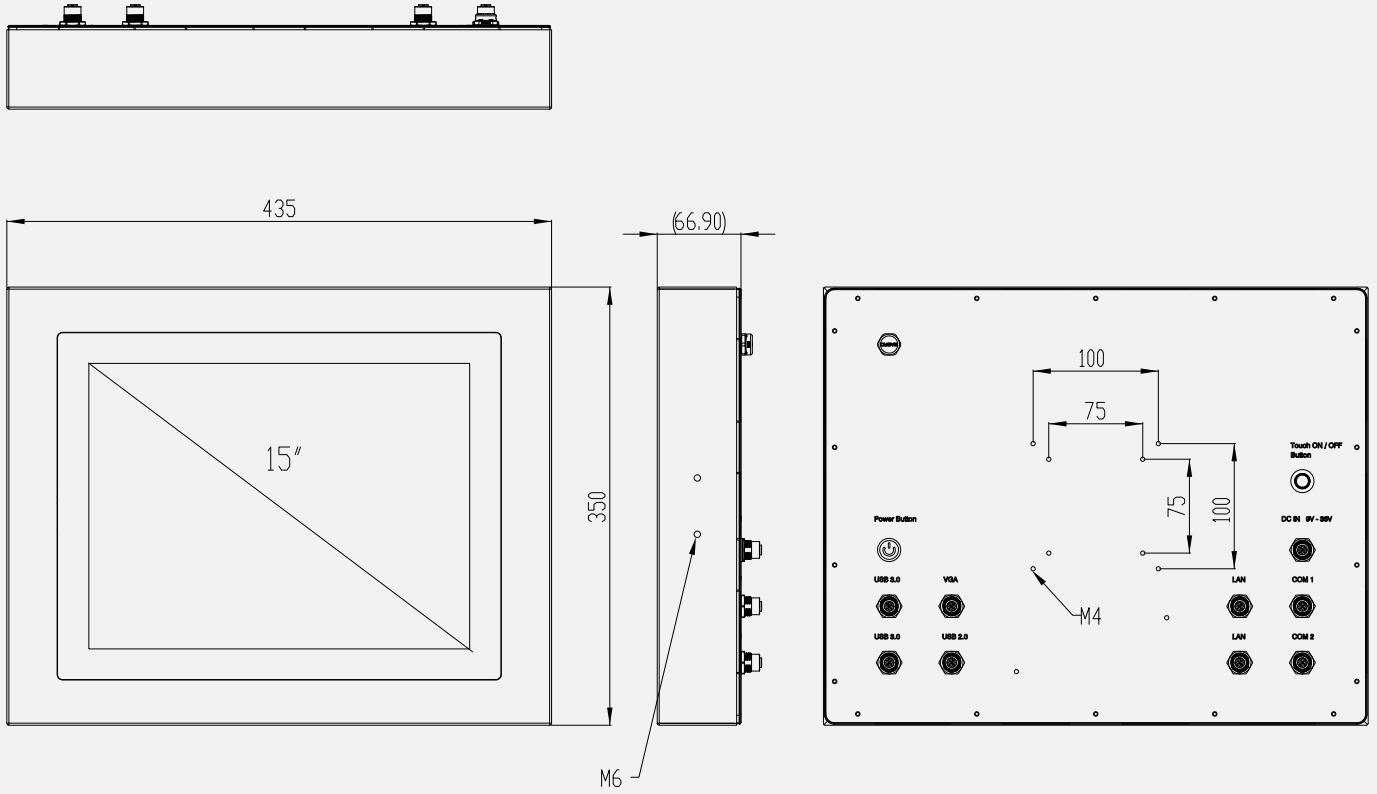
Optional Items

Part No.	Description
APW-60M12V-01	12V, 60W, 5A, 5-pin M12 Connector (US)
APW-60M12V-02	12V, 60W, 5A, 5-pin M12 Connector (EU)
AKT-USB2M12	M12 Connector to 2-port USB2.0 Cable, 2m
AKT-USB31M12	M12 Connector to USB3.0 Cable, 1.8m
AKT-COM2M12	M12 Connector to DB9 Cable, 2m
AKT-LAN2M12	M12 Connector to LAN Cable, 2m
AKT-VGA2M12-M	M12 Connector to DB15 Male Cable, 2m
AWD-WF006	Wi-Fi 802.11 a/b/g/n/ac/BT4.0 (2T2R) + 2 IP66 Antennas (Dual Band), Half Size
AWD-WF007	Wi-Fi 802.11 b/g/n/BT4.0 (1T1R) + 1 IP66 Antenna (Dual Band), Half Size
ACS-Z150-SWM	Stainless Steel 316 Wall Mount Kits, Thickness 3 mm
ACS-Z150-SYK	Stainless Steel 316 Yoke Mount Kits, Thickness 3 mm

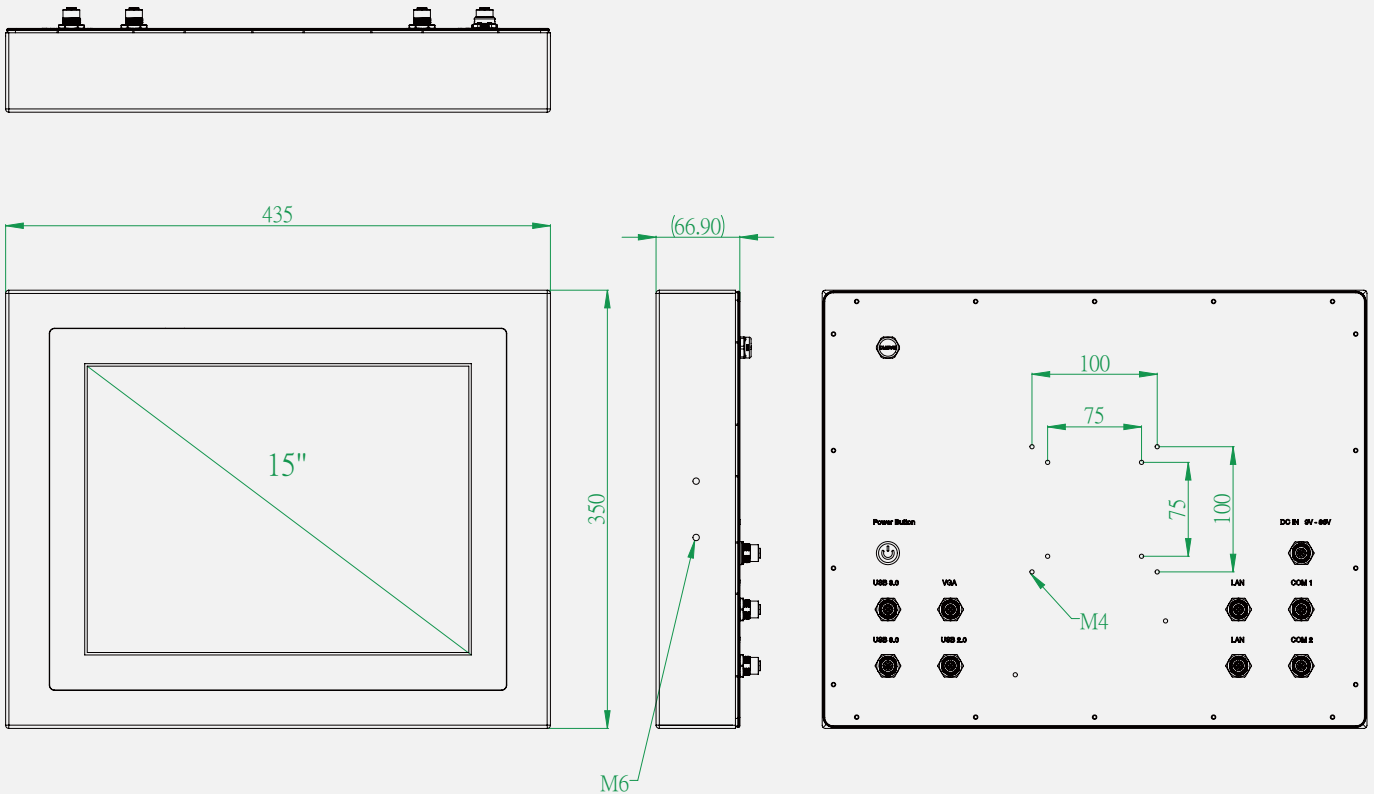
Specifications

Model		PPC-Z153P-B6A1	PPC-Z153R-B6A2
Processor System	CPU	Intel® Pentium® N4200	
	Frequency	Dual-core up to 2.5 GHz	
	System Chipset	N/A	
	Cache	2 MB	
	BIOS	UEFI	
Memory	Technology	Dual Channel DDR3L 1866 MHz	
	Max. Capacity	8 GB	
	Type	2x 204-pin SO-DIMM	
Panel	Panel Size	15"	
	Panel Type	LCD Panel	
	Aspect Ratio	4:3	
	Resolution	XGA, 1024 x 768	
	Viewing Angle	160 (H) x 160 (V)	
	Brightness	300 cd/m2	
	Contrast Ratio	600:1	
	Response Time	30 msec	
Touchscreen	Touchscreen Type	Projected Capacitive Touch	5-wire Resistive Touch
	Surface Hardness	7 Mohs	3 Mohs
	Durability	N/A	36 Millions Times
	Transparency	90% (±3%)	80% (±3%)
Display	HDMI	N/A	
	DP	N/A	
	VGA	1x VGA, up to 2560 x 1600 @ 60Hz (M12 Connector)	
	DVI	N/A	
I/O Interface	USB	2x USB 3.0 (M12 Connector), 1x M12 for 2x USB2.0 (M12 Connector)	
	Serial Port	1x RS 232 (M12 Connector), 1x RS-232/422/485 (M12 Connector)	
	Ethernet	2x GbE (M12 Connector) (LAN1: Intel® i219V, LAN2: Intel® i211AT)	
	Audio	N/A	
	GPIO / DIO	N/A	
	Antenna Hole	N/A (Optional)	
	Others	N/A	
Storage	2.5" HDD / SSD	N/A (Optional)	
	M.2	1x M.2 2242 M Key (SATA III)	
	mSATA	N/A	
	RAID	N/A	
Expansion	Mini PCIe	1x Full Size (PCIe x1, USB2.0)	
	M.2	N/A	
	PCI / PCIe	N/A	
	SIM Holder	1	
Power	Power Mode	AT / ATX	
	Power Supply Voltage	9-36V DC Input	
	Power Connector Type	M12 Connector	
	Power Consumption (Typical)	1.2A @ 12 V (14.46W)	
Mounting	Type	VESA (75 x 75, 100 x 100 mm) / Yoke Mount / Wall Mount	
Environment	Operating Temperature	-20~60°C (-4~140° F) w/ Extended Operation Temp. RAM & Storage	
	Storage Temperature	-40~85°C (-40~185° F)	
	Humidity	5~95% @ 40° C, Non-condensing	
	Vibration	IEC 60068-2-64: 1.5Grms, random, 5~500 Hz, 1hr/axis	
	Shock	IEC 60068-2-27: 15G, half-sine, 11ms duration	
General	Certification	CE / FCC Class A	
	Thermal Dissipation	Fanless	
	Ingress Protection	Full IP66/69K	
	Material	Stainless Steel 316	
	Dimensions (W x H x D)	435 x 350 x 66.9 mm (17.13" x 13.78" x 2.63")	
	Net Weight	7.41 kg (16.34 lb)	
	Operating System	Windows 10 (IoT 64 bit/Professional), Linux Kernel 4.0.x or above	

PPC-Z153P Dimension



PPC-Z153R Dimension



Viewing

