

# MERA-2000 Series

Modular Embedded Computers with Intel® Celeron® J1900 Processor



## Features

- Cable-free and Jumper-less Design to Enhance Reliability
- Supports 1x DVI-I and 1x DP
- Built-in Power Protection (OVP / OCP / RVP)
- 1x External AT / ATX Power Mode Switch
- 1x External Clear CMOS Switch
- 9 – 48V DC Wide-Range Power Inputs with Power Ignition Function
- -40°C ~ 70°C Wide Operating Temperature

## Applications

- Factory Automation
- Access Control
- Self-service Kiosk
- Motion Control

## → Ordering Information

Part No.	Description
MERA-2000-2L	Intel® J1900 Compact Fanless Box PC, 1x USB3.0, 4x USB2.0, 2x RS232/422/485, 2x GbE, 1x DP, 1x DVI-I, 1x Removable 2.5" SATA HDD Bay, Line Out, Mic In, DC 9~48V, Terminal Block Connector
MERA-2001-2L	Intel® J1900 Compact Fanless Box PC, 1x USB3.0, 4x USB2.0, 2x RS232/422/485, 2x GbE, 1x DP, 1x DVI-I, 2x Removable 2.5" SATA HDD Bays, Line Out, Mic In, DC 9~48V, Terminal Block Connector
MERA-2001S-2L	Intel® J1900 Compact Fanless Box PC, 1x USB3.0, 4x USB2.0, 6x RS232/422/485, 2x GbE, 1x DP, 1x DVI-I, 2x Removable 2.5" SATA HDD Bays, Line Out, Mic In, DC 9~48V, Terminal Block Connector

## → Packing List

Description
1 x MERA-2000 Series Machine
1 x DVI to VGA Adapter
1 x Wall Mount Kit

## → Optional Items

Part No.	Description
AWD-4G003	4G(LTE) EG25-G + 2 Antennas, Full Size (for Global)
AWD-4G004	4G(LTE) EC25EFA + 2 Antennas, Full Size (for Europe/Taiwan/China/Hong Kong)
AWD-WF001	Wi-Fi 802.11 b/g/n (1T1R) + 1 Antenna, Half Size
AWD-WF003	Wi-Fi 802.11 a/b/g/n/ac/BT4.0 (2T2R) + 2 Antennas (Dual Band), Half Size
2107-2330-X10	DIN-RAIL Mount Kit
55000-0025-M5	Adapter AC/DC 12V 5A 60W with 3-pin Terminal Block Plug 5.0mm Pitch
30100-0003-CA	Power Cord, 3-pin US Type, 180 cm
30101-0005-CA	Power Cord, 3-pin EU Type, 180 cm

# MERA-2000 Series

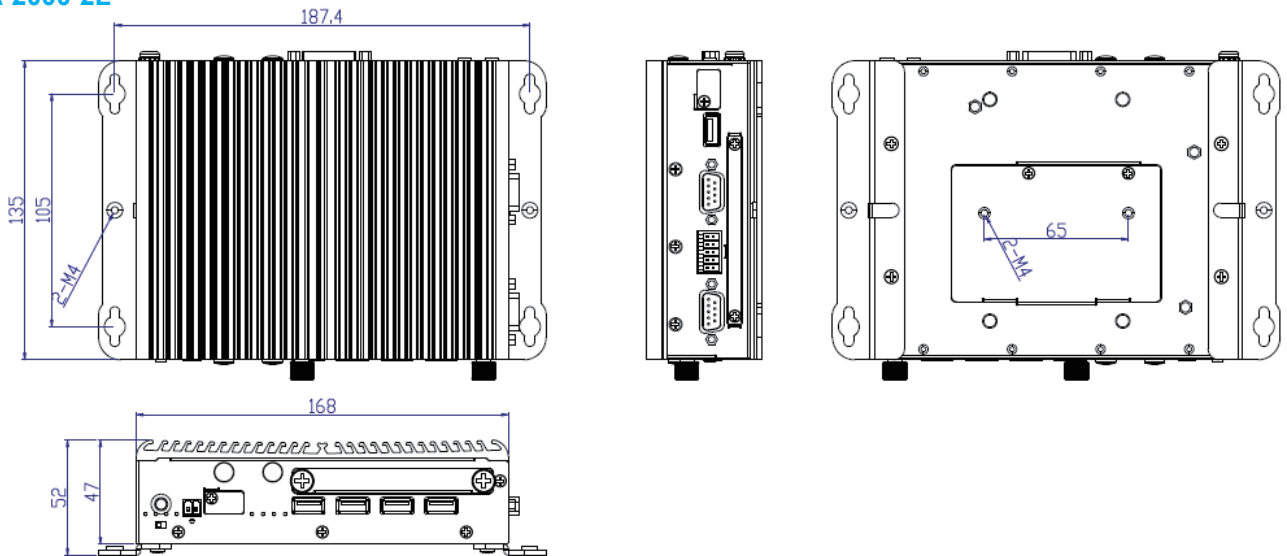
## → Specifications

	Model	MERA-2000-2L	MERA-2001-2L	MERA-2001S-2L
Processor System	CPU	Intel® Celeron® Processor J1900		
	System Chipset	N/A		
	BIOS	AMI BIOS, 64Mbit SPI Flash ROM Built on Board		
Memory	Technology	Single Channel DDR3L 1066/1333 MHz		
	Max. Capacity	8 GB (Un-buffered and Non-ECC)		
	Socket	1x DDR3L 204-pin SO-DIMM		
Display	Graphics Engine	Integrated Intel® HD Graphics		
	VGA	N/A		
	DVI-D	1x DVI-I (DVI-D+VGA), up to 1920 x 1200		
	HDMI	N/A		
	DP	1x DP, up to 1920 x 1200		
I/O Interface	USB	1x USB3.0 and 4x USB2.0		
	Serial Port	2x COM (RS-232/422/485), with Auto Flow Control, DB9	2x COM (RS-232/422/485), with Auto Flow Control, DB9	6x COM (RS-232/422/485), with Auto Flow Control, DB9
	GPIO	4x Isolated DI and 4x Isolated DO Ports, 10-pin Terminal Block		
	Ethernet	2x GbE (2x Intel® i210-AT, supporting Wake-on-LAN and PXE)		
	Audio	Line Out, Mic In		
	Flexible I/O Window Slot	N/A		
	Expansion	Mini-PCIe / M.2 Slot	1x Full-size Mini-PCIe Socket (mux with mSATA) and 1 x Full-size Mini-PCIe	
SIM Holder		2		
Antenna Hole		6	4	4
PCI/ PCIe Slot		N/A		
Storage	2.5" HDD/SSD	1x Removable 2.5" SATA HDD Bay	2x Removable 2.5" SATA HDD Bay	2x Removable 2.5" SATA HDD Bay
	RAID	N/A		
	CFast Socket	1x CFast Socket (Shared by mSATA)	1x CFast Socket (Shared by mSATA and 1x SATA)	1x CFast Socket (Shared by mSATA and 1x SATA)
	mSATA/M.2	1x mSATA Socket (Shared by 1x Mini-PCIe and CFast)	1x mSATA Socket (Shared by CFast and 1x SATA)	1x mSATA Socket (Shared by CFast and 1x SATA)
Power	Power Mode	AT/ATX		
	Remote Power	1x Remote Power On/Off Connector, 2-pin Terminal Block		
	Power Supply Voltage	9 ~ 48V DC		
	Connector Type	1x 3-pin Terminal Block Connector		
	Power Ignition	Power Ignition Sensing		
	Protection	Over Voltage Protection (OVP) Up to 52V Reverse Voltage Protection (RVP) up to -48V Over Current Protection (OCP) 20A		
	Car Mode	1x PC/Car Mode Switch		
Mounting	Type	Wall Mount / DIN-Rail (Optional)		
Environment	Operating Temperature	-40°C ~ 70°C (-40~158° F)		
	Storage Temperature	-40 ~ 80° C (-40~176° F)		
	Humidity	10%~95% (Non-condensing)		
	Vibration	IEC 60068-2-64: 5Grms, random, 5~500 Hz, 1hr/axis		
	Shock	IEC 60068-2-27: 50G, half-sine, 11ms duration		
General	Certification	CE/FCC		
	Thermal Dissipation	Fanless System		
	Material	Extruded Aluminum with Heavy Duty Metal		
	Dimensions (W x H x D)	168 x 47 x 135 mm (6.61" x 1.85" x 5.31")	168 x 62 x 135 mm (6.61" x 2.44" x 5.31")	168 x 62 x 135 mm (6.61" x 2.44" x 5.31")
	Net Weight	1.1 kg (2.43 lb)	1.4 kg (3.08 lb)	1.45 kg (3.20 lb)
	Operating System	Windows 10 (IoT / Professional), Linux		

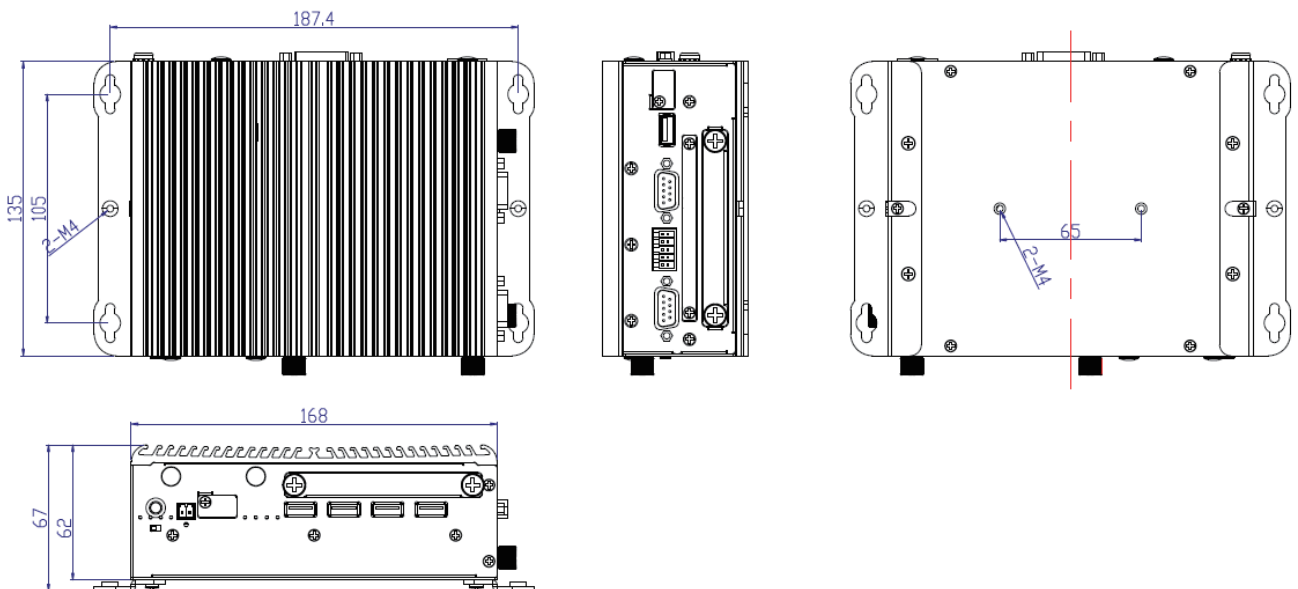
# MERA-2000 Series

## → Dimensions

### MERA-2000-2L



### MERA-2001-2L



### MERA-2001S-2L

